



Premier Solution Provider of One-stop Commercial Sparkling Water Dispenser



BESTWARE Hardware Production Co., Ltd.

Add: Block 8, No.6, Jianda Nan Road, Jiangmen, Guangdong, China

www.bestware-sparkling.com

Tel: +86 750 3108801

Email: business@bestware-stainless.com

after-sales@bestware-stainless.com

WhatsApp: +86 18929047065

Wechat: +86 18929047065



Website



YouTube



WhatsApp



Wechat

CONTENTS

Commercial Sparkling Water Dispenser	01
With Standalone RO	03
Without RO	04
Commercial Water Dispenser	11
With Standalone RO	13
Without RO	14
With Built-in RO	21
Stainless Steel Cabinet	25

✓ Product Advantages

Since its establishment, Bestware has always adhered to the principle of "solving industry pain points through product selling points", creating more value for customers. Below is an overview of our unique selling points.



Pain Points	Selling Points
Limited Functionality, Requires Multiple Devices	Multi-function for Hot/Chilled/Sparkling/Ambient Water
Low Water Output, Unsuitable for Commercial Use	200 cups/h Chilled/Sparkling Water (200 ml/cup), 120 cups/h Hot Water (150 ml/cup), Meeting Commercial Needs
Poor Taste of Sparkling Water	Gas-liquid Small-molecule Fusion Technology Produces Fine, Long-lasting Bubbles
Lack of Energy-saving Design, Leading to Waste	Steam Recovery System for Energy Savings and Reduced Consumption
Lacking Safety Protection, Burn Hazard	Insulated PP Corrugated Tubing Prevents Surface Overheating
Shared Water Lines Compromise Taste Consistency	Independent Tubing for Pure, Stable Taste

✓ Our Commitments

- 97%+** Product Satisfaction Upon Receipt by Customers
- 100%** 304/316 Stainless Steel (Unless Specified Otherwise)
- 100%** Product Qualification Rate at Factory Shipment
- 100%** Customer Complaint Resolution Rate



Take Bestware for a spin, and it'll be your go-to forever!

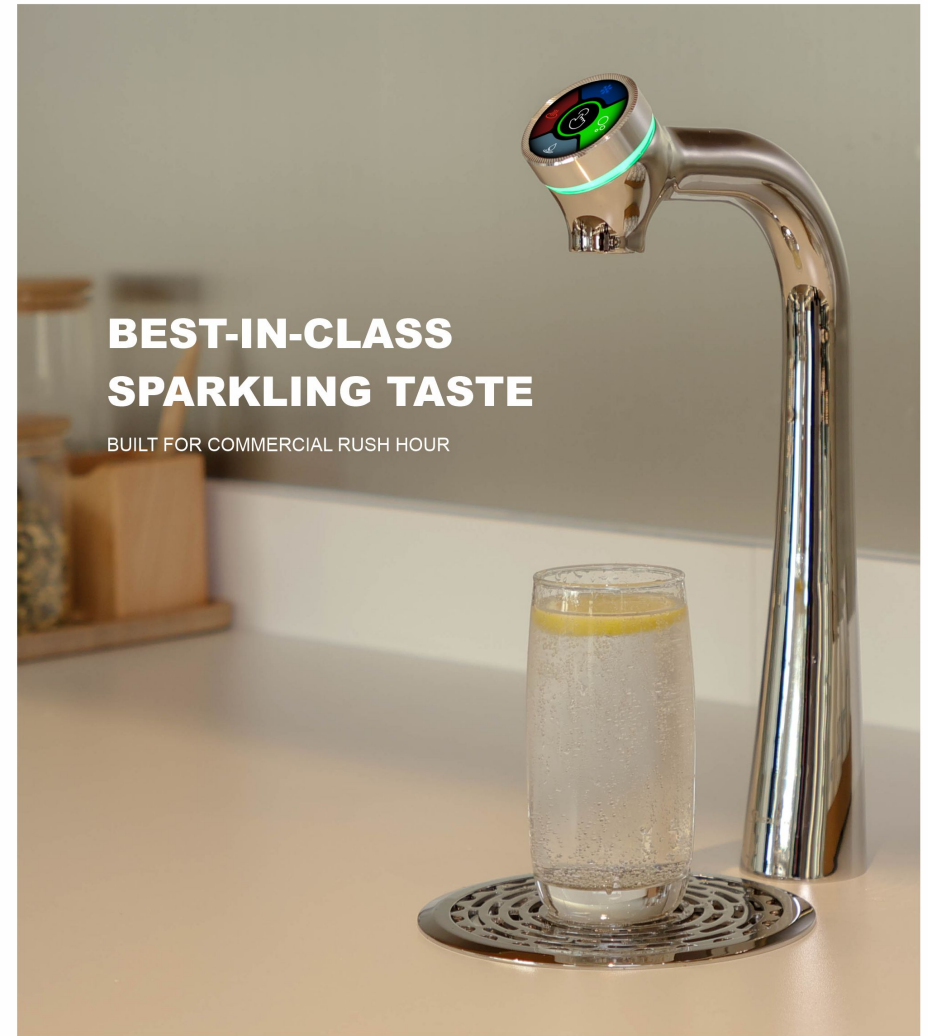
SPARKLING DISPENSER

BESTWARE

**COMMERCIAL
SPARKLING
WATER
DISPENSER**

BESTWARE

SPARKLING DISPENSER



**BEST-IN-CLASS
SPARKLING TASTE**

BUILT FOR COMMERCIAL RUSH HOUR

MODELS OVERVIEW

BESTWARE

» With Standalone RO



4 in 1

G1DS-1023

Chilled/Sparkling/Ambient/Hot Water

3 in 1

G2DS-103

Chilled/Sparkling/Ambient Water



2 in 1

G6DS-106

Chilled/Sparkling Water

BESTWARE

MODELS OVERVIEW

» Without RO

4 in 1

G1DS-123

Chilled/Sparkling/Ambient/Hot Water



3 in 1

G2DS-13

Chilled/Sparkling/Ambient Water



2 in 1

G6DS-16

Chilled/Sparkling Water



KEY FEATURES

BESTWARE

No	Overview	Details
1	4-in-1 Functionality	<ul style="list-style-type: none"> 4-in-1 Functionality: Hot, Chilled, Sparkling, and Ambient Water Customizable 2-in-1 or 3-in-1 Configurations
2	Excellent Taste	<ul style="list-style-type: none"> Independent Four-tube Structure Keeps Each Water Type Separate, Ensuring Pure Taste Sparkling Water Delivers Fine, Lasting Bubbles (2.5–3.5 g/L) via Gas–liquid Fusion Technology
3	High Water Output	<ul style="list-style-type: none"> Chilled/sparkling Water: 40 L/h (<10°C); Hot Water: 18 L/h (>90°C) 4× Chilling Capacity Meets Commercial Peak Demand Single-serving Output: Hot 4 L, Chilled 1 L, Sparkling 3 L
4	Superior User Experience	<ul style="list-style-type: none"> 1.5-inch OLED HD Animated Display for Intuitive Operation High-flow Design Meets Peak Demand, Reducing Waiting Time and Improving Service Efficiency Adjustable Temperature: Chilled 0–8°C, Hot 45–98°C, Suitable for Multiple Scenarios Drip-free Sparkling Water Dispensing for Clean Operation Adjustable Dispensing Time: 1–60 s for Different Cup Sizes Enlarged Buttons for Easy Operation 45° Ergonomic Viewing Angle for Convenient Maintenance without Bending Neoperl Aerator Ensures Smooth, Splash-free Water Flow Drip Tray with Large Drainage Holes for Fast Drainage, No Water Accumulation
5	Hygiene	<ul style="list-style-type: none"> UV Sterilization >99.99% Ensures Clean, Safe Water Laminar-flow Heating Separates Hot and Cold Water, Preventing "Mixed Water" In-line Immersion Chilling Provides On-demand Chilled Water, Keeping It Fresh
6	Energy Saving	<ul style="list-style-type: none"> Breathing System Recovers 100% Steam for Efficient Heat Reuse and Water Saving Three Energy-saving Modes Automatically Reduce Consumption during Off-peak Hours On-demand Cooling Reduces Refrigeration Energy Sparkling Water Line Stops Instantly without Dripping, Avoiding Waste Air-cooled System Delivers Low-power, Efficient Chilling and Water Saving
7	Safety	<ul style="list-style-type: none"> PP Corrugated Tube Prevents the Faucet Surface Overheating, Avoiding Scalding Water-level Sensor and Smart Temp Control Shut Off Unit at Low Water to Prevent Dry Burn Double-tap Hot Water Dispensing Prevents Accidental Scalding
8	Smart Features	<ul style="list-style-type: none"> 1.5-inch OLED Display Supports Water Mode Switching and Dispensing Time Setting Sensors Ensure Precise Temperature and Water-level Control, Preventing Dry Burn Three Energy-saving Modes Reduce Off-peak Energy Consumption and Operational Costs
9	Stylish Appearance	<ul style="list-style-type: none"> Streamlined Faucet Design, 100% SUS304 with Plasma Mirror Finish, Lead-free and Safe Uniform Cabinet Design, Minimalist and Stylish, Perfectly Fits Modern Commercial Spaces
10	Undercounter Installation	<ul style="list-style-type: none"> Frees up Countertop Space for a Clean, Spacious Look Separate Chilling and Heating Units Optimize Under-counter Utilization

BESTWARE

ITEMS COMPARISON

Overview	Details					
Model No.	G1DS-1023	G2DS-103	G6DS-106	G1DS-123	G2DS-13	G6DS-16
Types of Water	4 in 1	3 in 1	2 in 1	4 in 1	3 in 1	2 in 1
Chilled	●	●	●	●	●	●
Sparkling	●	●	●	●	●	●
Ambient	●	●	–	●	●	–
Hot	●	–	–	●	–	–
RO Filtration Unit	With Standalone RO			Without RO		
Tap Hole Size (mm)	Φ32-35					
Max Counter Thickness (mm)	≤40 mm (customizable to extra thickness)					
Minimum Base Cabinet Size (WxDxH)	990x500x630	760x500x630	760x500x630	810x500x630	580x500x630	580x500x630



SPECIFICATIONS

BESTWARE

» Tap

Parameters	Detailed Specifications/Features
Size (Tap+Drip Tray)	158×223×332 mm (W×D×H)
Body Material	SUS304 Plasma Mirror Polishing (Unplated), Corrosion-resistant, Lead-free, and Durable
Internal Tube	Food-grade Material, High/Low Temperature Resistant
Aerator	Neoperl, SUS304, High/Low Temperature Resistant, Stable Water Output, Smooth and Dense Flow of Water with No Splashing
Four-tube System	Independent 4-tube Design, Isolating Cold and Hot Water to Ensure Stable Water Temperature
Anti-scald Design	High-efficiency Thermally Insulated PP Corrugated Tube, the Tap Surface Remains Cool and Safe Even with Continuous High-temperature Water Output
Drip Tray (Wastewater Collection Area)	Φ158 mm, SUS304, Collect Overflow, Remaining Clean and Tidy
Installation Size	1. Surface Thickness Required ≤40 mm (Customizable to Extra Thickness) 2. Tap Hole Size Required Φ32-35 mm 3. Drip Tray Hole Size Required Φ130 mm, 3×Φ8 mm Installation Holes

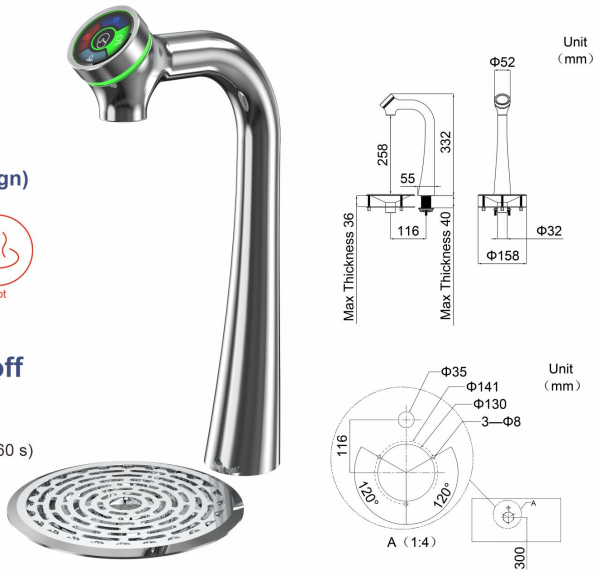


Operation Instructions (Easy-to-use Rotary Knob Design)



Automatic Water Shut-off Time Settings

Press and hold for 5 s to adjust (range 1-60 s)



BESTWARE

SPECIFICATIONS

» Chilling Unit (with Sparkling)

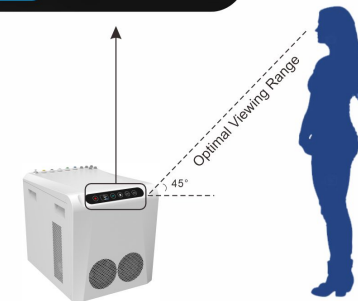
Parameters	Detailed Specifications/Features
Water Dispensing Mode	Chilled Water, Sparkling Water, Ambient Water
Material	304 Stainless Steel
Cabinet Handle	Yes
Size	355×464×438 mm (W×D×H)
Chilling Power Rating	520 W
Chilling Capacity	40 L/h=200 cups/h (200 ml/cup), Fresh Water Circulation
Sparkling Capacity	40 L/h=200 cups/h (200 ml/cup), Max 3 L/min, with Pressure Reducing Valve, Stable Flow, Anti-splash
Sparkling Water Concentration	2.5-3.5 g/L, with a Built-in CO ₂ and Water Mixing Chamber, Rich in Taste (CO ₂ Cylinder to be Provided by the User)
CO ₂ Intake Tube	1/4" PE
Adjustable Temperature Range	0°C-8°C
Supply Voltage	Available in Both 110 V/60 Hz and 220 V/50 Hz Power Supply Specifications
Water Pressure Range	0.15 MPa-0.6 Mpa
UV Sterilization	External Design, Sterilization Rate Reaches 99.99%, Easy Maintenance
High-pressure Relief Port	Equipped with Pressure Relief Function, Increasing Safety
Water Inlet/Outlet Connection	1/4", Universal Connectors, Easy Installation
Communication Interface	Shares with Heating Unit and Tap

Temperature Adjustment Water Shortage Indicator UV Sterilization Status Indicator CO₂ Status Indicator



Capacitive Touch Buttons

- 3 times larger capacitive touch buttons than typical market products.
- 45° ergonomic slope design enhancing the visual experience.



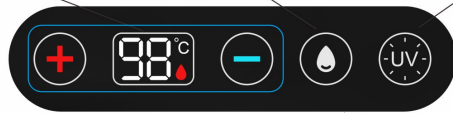
SPECIFICATIONS

BESTWARE

» Heating Unit

Product Parameters	Detailed Specifications/Features
Water Dispensing Mode	Hot Water
Material	304 Stainless Steel
Cabinet Handle	Yes
Size	230×322×438 mm (W×D×H)
Heating Power Rating	1200 W (110 V)/1500 W (220 V)
Heating Capacity	Single Continuous Dispensing (≈4 L) at 90°C+, 18 L/h=120 cups/h (150 ml/cup)
Adjustable Temperature Range	45°C-98°C
Supply Voltage	Available in Both 110 V/60 Hz and 220 V/50 Hz Power Supply Specifications
Water Pressure Range	0.15 MPa-0.6 Mpa
UV Sterilization	External Design, Sterilization Rate Reaches 99.99%, Easy Maintenance
High-pressure Relief Port	Equipped with Pressure Relief Function, Increasing Safety
Water Inlet/Outlet Connection	3/8" Inlet, 1/4" Outlet, Easy Installation
Communication Interface	Shares with Chilling Unit and Tap

Temperature Adjustment Water Shortage Indicator UV Sterilization Status Below 80°C



Available in 3 Energy-saving Modes

• Standard Energy-saving Mode

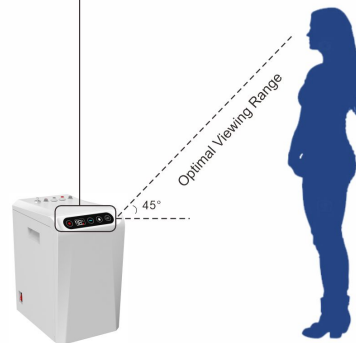
Maintains set temperature with auto-reheat (5°C drop), auto power-off after 24 h of inactivity, reheats upon reuse.

• Insulated Energy-saving Mode

Maintains set temperature with auto-reheat (5°C drop), auto drop to 65°C after 3 h of inactivity, auto power-off after 24 h of inactivity, reheats upon reuse.

• High-efficiency Energy-saving Mode

Maintains set temperature with auto-reheat (5°C drop), auto power-off after 3 h of inactivity, reheats upon reuse.



BESTWARE

SPECIFICATIONS

» Ro Filtration Unit

Filtration Capacity

RO filtration effectively removes harmful impurities such as heavy metals, bacteria, viruses, antibiotics, and pesticides, while reducing water scale buildup to prevent it from affecting heating speed and water flow, extending the equipment's lifespan and improving operational efficiency.



Water Flow

Flow rate of 2.6 L/min, fast water filling with high flow, saving time.

Filter Cartridge Lifespan

RO Filter 1000 G (2-year lifespan or 8000 L)
PAC Composite Filter (1-year lifespan or 4000 L)
Filter replacement reminder ensures water quality.

No Water Storage Design

Saves space with a no-storage RO design, preventing bacterial growth, ensuring fresh, healthy water.



WATER DISPENSER

BESTWARE

COMMERCIAL WATER DISPENSER

BESTWARE

WATER DISPENSER



MODELS OVERVIEW

BESTWARE

» With Standalone RO



3 in 1

G3DS-1024
Chilled/Ambient/Hot Water

2 in 1

G4DS-104
Chilled/Ambient Water



2 in 1

G5DS-105
Hot/Ambient Water

BESTWARE

MODELS OVERVIEW

» Without RO

3 in 1

G3DS-124
Chilled/Ambient/Hot Water



2 in 1

G4DS-14
Chilled/Ambient Water



2 in 1

G5DS-15
Hot/Ambient Water



KEY FEATURES

BESTWARE

No	Overview	Details
1	3-in-1 Functionality	<ul style="list-style-type: none"> 3-in-1 Functionality: Hot, Chilled and Ambient Water Customizable 2-in-1 Configurations
2	Excellent Taste	<ul style="list-style-type: none"> Independent Three-tube Structure Keeps Each Water Type Separate, Ensuring Pure Taste
3	High Water Output	<ul style="list-style-type: none"> Chilled Water: 40 L/h (<10°C); Hot Water: 18 L/h (>90°C) 4× Chilling Capacity Meets Commercial Peak Demand Single-serving Output: Hot 4 L, Chilled 1 L
4	Superior User Experience	<ul style="list-style-type: none"> 1.5-inch OLED HD Animated Display for Intuitive Operation High-flow Design Meets Peak Demand, Reducing Waiting Time and Improving Service Efficiency Adjustable Temperature: Chilled 0–8°C, Hot 45–98°C, Suitable for Multiple Scenarios Adjustable Dispensing Time: 1–60 s for Different Cup Sizes Enlarged Buttons for Easy Operation 45° Ergonomic Viewing Angle for Convenient Maintenance without Bending Neoperl Aerator Ensures Smooth, Splash-free Water Flow Drip Tray with Large Drainage Holes for Fast Drainage, No Water Accumulation
5	Hygiene	<ul style="list-style-type: none"> UV Sterilization >99.99% Ensures Clean, Safe Water Laminar-flow Heating Separates Hot and Cold Water, Preventing "Mixed Water" In-line Immersion Chilling Provides On-demand Chilled Water, Keeping It Fresh
6	Energy Saving	<ul style="list-style-type: none"> Breathing System Recovers 100% Steam for Efficient Heat Reuse and Water Saving Three Energy-saving Modes Automatically Reduce Consumption during Off-peak Hours On-demand Cooling Reduces Refrigeration Energy Air-cooled System Delivers Low-power, Efficient Chilling and Water Saving
7	Safety	<ul style="list-style-type: none"> PP Corrugated Tube Prevents the Faucet Surface Overheating, Avoiding Scalding Water-level Sensor and Smart Temp Control Shut Off Unit at Low Water to Prevent Dry Burn Double-tap Hot Water Dispensing Prevents Accidental Scalding
8	Smart Features	<ul style="list-style-type: none"> 1.5-inch OLED Display Supports Water Mode Switching and Dispensing Time Setting Sensors Ensure Precise Temperature and Water-level Control, Preventing Dry Burn Three Energy-saving Modes Reduce Off-peak Energy Consumption and Operational Costs
9	Stylish Appearance	<ul style="list-style-type: none"> Streamlined Faucet Design, 100% SUS304 with Plasma Mirror Finish, Lead-free and Safe Uniform Cabinet Design, Minimalist and Stylish, Perfectly Fits Modern Commercial Spaces
10	Undercounter Installation	<ul style="list-style-type: none"> Frees up Countertop Space for a Clean, Spacious Look Separate Chilling and Heating Units Optimize Under-counter Utilization

BESTWARE

ITEMS COMPARISON

Overview	Details					
Model No.	G3DS-1024	G4DS-104	G5DS-105	G3DS-124	G4DS-14	G5DS-15
Types of Water	3 in 1	2 in 1	2 in 1	3 in 1	2 in 1	2 in 1
Chilled	●	●	–	●	●	–
Sparkling	–	–	–	–	–	–
Ambient	●	●	●	●	●	●
Hot	●	–	●	●	–	●
RO Filtration Unit	With Standalone RO			Without RO		
Tap Hole Size (mm)	Φ32-35					
Max Counter Thickness (mm)	≤40 mm (customizable to extra thickness)					
Minimum Base Cabinet Size (WxDxH)	990x500x630	605x500x630	445x500x630	810x500x630	425x500x630	265x500x630



SPECIFICATIONS

BESTWARE

» Tap

Parameters	Detailed Specifications/Features
Size (Tap+Drip Tray)	158×223×332 mm (W×D×H)
Body Material	SUS304 Plasma Mirror Polishing (Unplated), Corrosion-resistant, Lead-free, and Durable
Internal Tube	Food-grade Material, High/Low Temperature Resistant
Aerator	Neoperl, SUS304, High/Low Temperature Resistant, Stable Water Output, Smooth and Dense Flow of Water with No Splashing
Independent Tube Design	Isolating Cold and Hot Water to Ensure Stable Water Temperature
Anti-scald Design	High-efficiency Thermally Insulated PP Corrugated Tube, the Tap Surface Remains Cool and Safe Even with Continuous High-temperature Water Output
Drip Tray (Wastewater Collection Area)	Φ158 mm, SUS304, Collect Overflow, Remaining Clean and Tidy
Installation Size	<ol style="list-style-type: none"> 1. Surface Thickness Required ≤40 mm (Customizable to Extra Thickness) 2. Tap Hole Size Required Φ32-35 mm 3. Drip Tray Hole Size Required Φ130 mm, 3×Φ8 mm Installation Holes

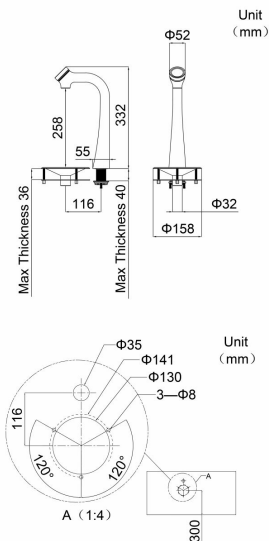


Operation Instructions (Easy-to-use Rotary Knob Design)



Automatic Water Shut-off Time Settings

Press and hold for 5 s to adjust (range 1-60 s)



BESTWARE

SPECIFICATIONS

» Chilling Unit (without Sparkling)

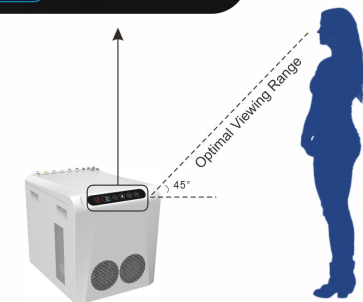
Parameters	Detailed Specifications/Features
Water Dispensing Mode	Chilled Water, Ambient Water
Material	304 Stainless Steel
Cabinet Handle	Yes
Size	355×464×438 mm (W×D×H)
Chilling Power Rating	420 W
Chilling Capacity	40 L/h=200 cups/h (200 ml/cup), Fresh Water Circulation
Adjustable Temperature Range	0°C-8°C
Supply Voltage	Available in Both 110 V/60 Hz and 220 V/50 Hz Power Supply Specifications
Water Pressure Range	0.15 MPa-0.6 Mpa
UV Sterilization	External Design, Sterilization Rate Reaches 99.99%, Easy Maintenance
High-pressure Relief Port	Equipped with Pressure Relief Function, Increasing Safety
Water Inlet/Outlet Connection	1/4", Universal Connectors, Easy Installation
Communication Interface	Shares with Heating Unit and Tap

Temperature Adjustment Water Shortage Indicator UV Sterilization Status Indicator



Capacitive Touch Buttons

- 3 times larger capacitive touch buttons than typical market products.
- 45° ergonomic slope design enhancing the visual experience.



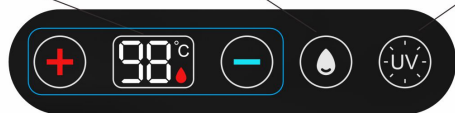
SPECIFICATIONS

BESTWARE

» Heating Unit

Product Parameters	Detailed Specifications/Features
Water Dispensing Mode	Hot Water
Material	304 Stainless Steel
Cabinet Handle	Yes
Size	230×322×438 mm (W×D×H)
Heating Power Rating	1200 W (110 V)/1500 W (220 V)
Heating Capacity	Single Continuous Dispensing (≈4 L) at 90°C+, 18 L/h=120 cups/h (150 ml/cup)
Adjustable Temperature Range	45°C-98°C
Supply Voltage	Available in Both 110 V/60 Hz and 220 V/50 Hz Power Supply Specifications
Water Pressure Range	0.15 MPa-0.6 Mpa
UV Sterilization	External Design, Sterilization Rate Reaches 99.99%, Easy Maintenance
High-pressure Relief Port	Equipped with Pressure Relief Function, Increasing Safety
Water Inlet/Outlet Connection	3/8" Inlet, 1/4" Outlet, Easy Installation
Communication Interface	Shares with Chilling Unit and Tap

Temperature Adjustment Water Shortage Indicator UV Sterilization Status Below 80°C



Available in 3 Energy-saving Modes

• Standard Energy-saving Mode

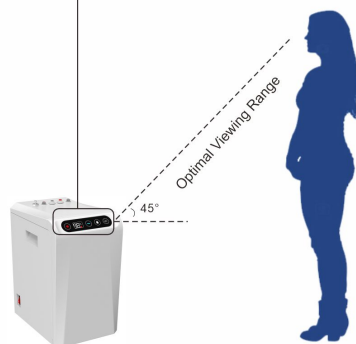
Maintains set temperature with auto-reheat (5°C drop), auto power-off after 24 h of inactivity, reheats upon reuse.

• Insulated Energy-saving Mode

Maintains set temperature with auto-reheat (5°C drop), auto drop to 65°C after 3 h of inactivity, auto power-off after 24 h of inactivity, reheats upon reuse.

• High-efficiency Energy-saving Mode

Maintains set temperature with auto-reheat (5°C drop), auto power-off after 3 h of inactivity, reheats upon reuse.



BESTWARE

SPECIFICATIONS

» Ro Filtration Unit

Filtration Capacity

RO filtration effectively removes harmful impurities such as heavy metals, bacteria, viruses, antibiotics, and pesticides, while reducing water scale buildup to prevent it from affecting heating speed and water flow, extending the equipment's lifespan and improving operational efficiency.



Water Flow

Flow rate of 2.6 L/min, fast water filling with high flow, saving time.

Filter Cartridge Lifespan

RO Filter 1000 G (2-year lifespan or 8000 L)
PAC Composite Filter (1-year lifespan or 4000 L)
Filter replacement reminder ensures water quality.

No Water Storage Design

Saves space with a no-storage RO design, preventing bacterial growth, ensuring fresh, healthy water.



MODEL OVERVIEW

BESTWARE

» With Built-in RO



2 in 1

G12DS-19
Hot/Ambient Water

No	Overview	Details
1	Function	Combines Ambient/Hot Water with Built-in RO Purification
2	Undercounter Installation	Maximizes Countertop Space with a Sleek and Elegant Design
3	Continuous Efficient Heating	Single Continuous Dispensing of Hot Water (≈1L) at 90°C+, Ideal for Hotel Rooms
4	Environmentally Sustainable	Eliminating Bottled Water Reduces Packaging Waste and Carbon Emissions
5	Animated Display Screen	1.5-inch OLED Smart HD Display, User-friendly Design, Easy and Comfortable Operation
6	Safety	Independent Dual-tube Design for Hot and Ambient Water Separation, Water-level Sensor and Smart Temp Control Shut Off Unit at Low Water to Prevent Dry Burn
7	Hygiene	Features an Built-in RO Filter System, UV Sterilization with 99.99% Effectiveness, Ensuring Healthy and Sanitary Water Quality
8	Auto Shut-off Settings	Users Can Set Automatic Shut-off time (1-60 seconds) Based on Different Cup Sizes
9	User-friendly Design	Host Button Size is Three Times Larger than Average Products on the Market, Combined with a 45° Ergonomic Design for an Enhanced Visual Experience

BESTWARE

DETAILS

Overview	Details
Model No.	G12DS-19
Types of Water	2 in 1
Chilled	-
Sparkling	-
Ambient	•
Hot	•
RO Filtration Unit	With Built-in RO
Minimum Base Cabinet Size (WxDxH)	460x500x450



SPECIFICATIONS

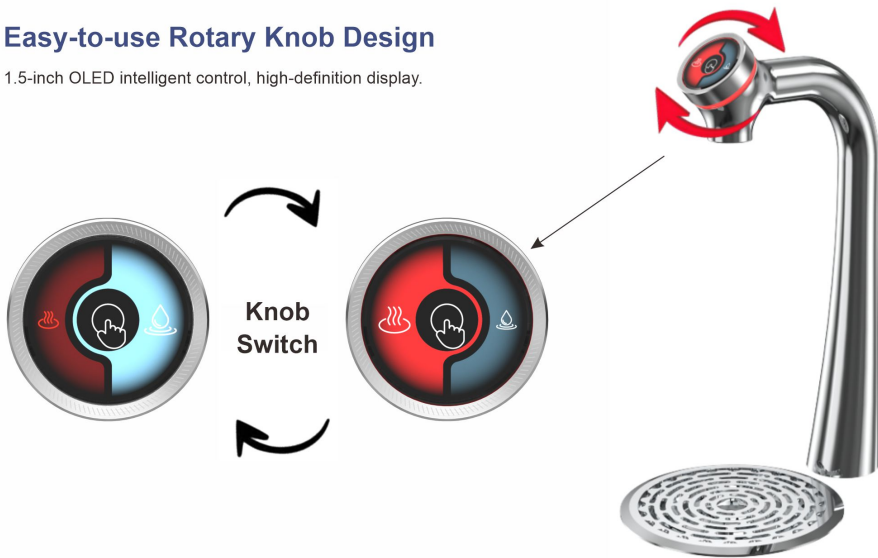
BESTWARE

» Tap

Parameters	Detailed Specifications/Features
Size (Tap+Drip Tray)	158×223×332 mm (W×D×H)
Body Material	SUS304 Plasma Mirror Polishing (Unplated), Corrosion-resistant, Lead-free, and Durable
Internal Tube	Food-grade Material, High/Low Temperature Resistant
Aerator	Neoperl, SUS304, High/Low Temperature Resistant, Stable Water Output, Smooth and Dense Flow of Water with No Splashing
Dual-tube System	Independent 2-tube Design, Separating Ambient and Hot Water to Prevent Cross-contamination
Anti-scald Design	High-efficiency Thermally Insulated PP Corrugated Tube, the Tap Surface Remains Cool and Safe Even with Continuous High-temperature Water Output
Drip Tray (Wastewater Collection Area)	Φ158 mm, SUS304, Collect Overflow, Remaining Clean and Tidy
Installation Size	<ol style="list-style-type: none"> 1. Surface Thickness Required ≤40 mm (Customizable to Extra Thickness) 2. Tap Hole Size Required Φ32-35 mm 3. Drip Tray Hole Size Required Φ130 mm, 3×Φ8 mm Installation Holes

Easy-to-use Rotary Knob Design

1.5-inch OLED intelligent control, high-definition display.

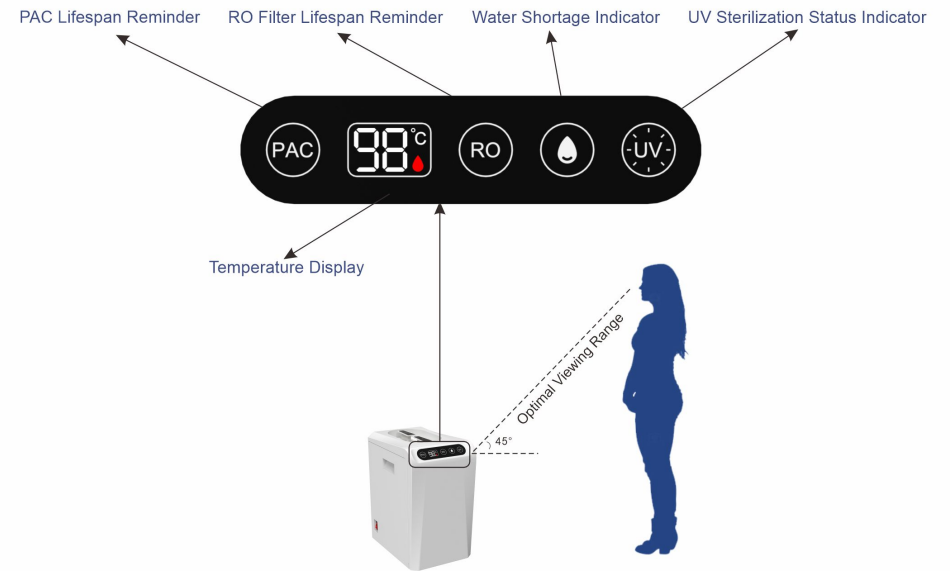


BESTWARE

SPECIFICATIONS

» Heating Unit (with Built-in RO Filtration)

Parameters	Detailed Specifications/Features
Water Dispensing Mode	Hot Water, Ambient Water
Material	304 Stainless Steel
Size	230×320×438 mm (W×D×H)
Heating Power Rating	1000 W (220 V)/1000 W (110 V)
Heating Capacity	Single Continuous Dispensing of Hot Water (≈1.4 L) at 90°C+, 13 L/h, ≈120 cups/h (85 ml/cup)
Supply Voltage	Available in Both 110 V/60 Hz and 220 V/50 Hz Power Supply Specifications
Water Pressure Range	0.15 MPa-0.6 Mpa
UV Sterilization	External Design, Sterilization Rate Reaches 99.99%, Easy Maintenance
High-pressure Relief Port	Equipped with Pressure Relief Function, Increasing Safety
Water Inlet/Outlet Connection	1/4"
Communication Interface	Shares with Heating Unit and Tap
Built-in Filter Cartridge Lifespan	RO Filter 600G: 2-year lifespan or 4000 L; PAC Composite Filter: 1-year lifespan or 2000 L



STAINLESS STEEL CABINET

For a Cleaner, Faster, More Professional Setup



- All-stainless-steel Construction
- Concealed Pull Handle
- Built-in Plug
- Efficient Airflow and Ventilation Design
- Dual-function Casters (Free-rolling / Lockable)
- Modular Panels Support Self-installation

OPTIONAL

- Perfect Fit for Bestware Systems
- Ready-to-install Design
- Commercial-grade Durability



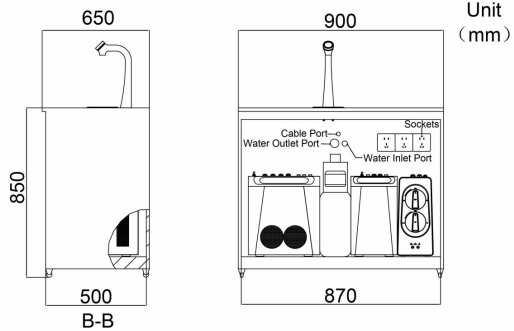
Model No.: MSCB01

CABINET

BESTWARE



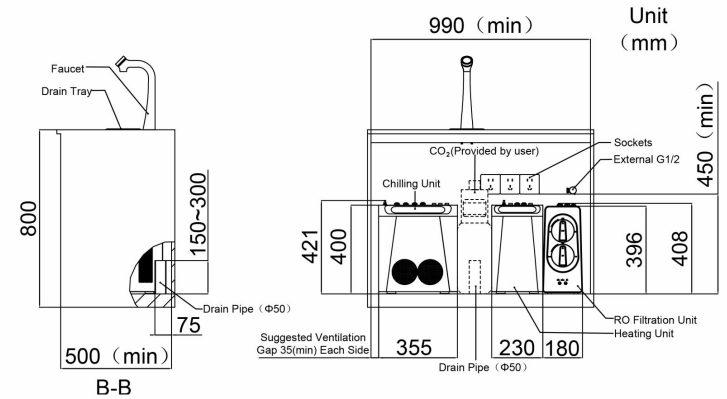
Cabinet Dimensions



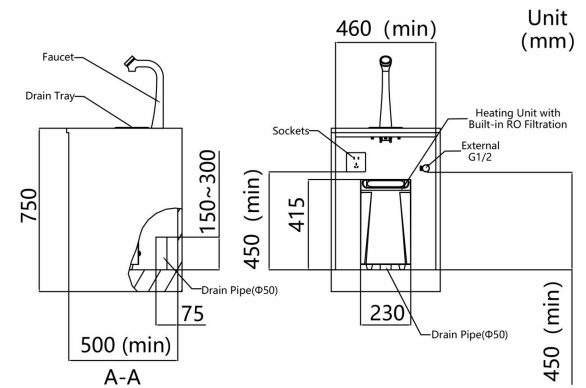
BESTWARE

REQUIRED CLEARANCE

Recommended installation space (for reference only). For other models, please contact Bestware.



Applicable Models: G1DS-1023 / G3DS-1024



Applicable Models: G12DS-19